

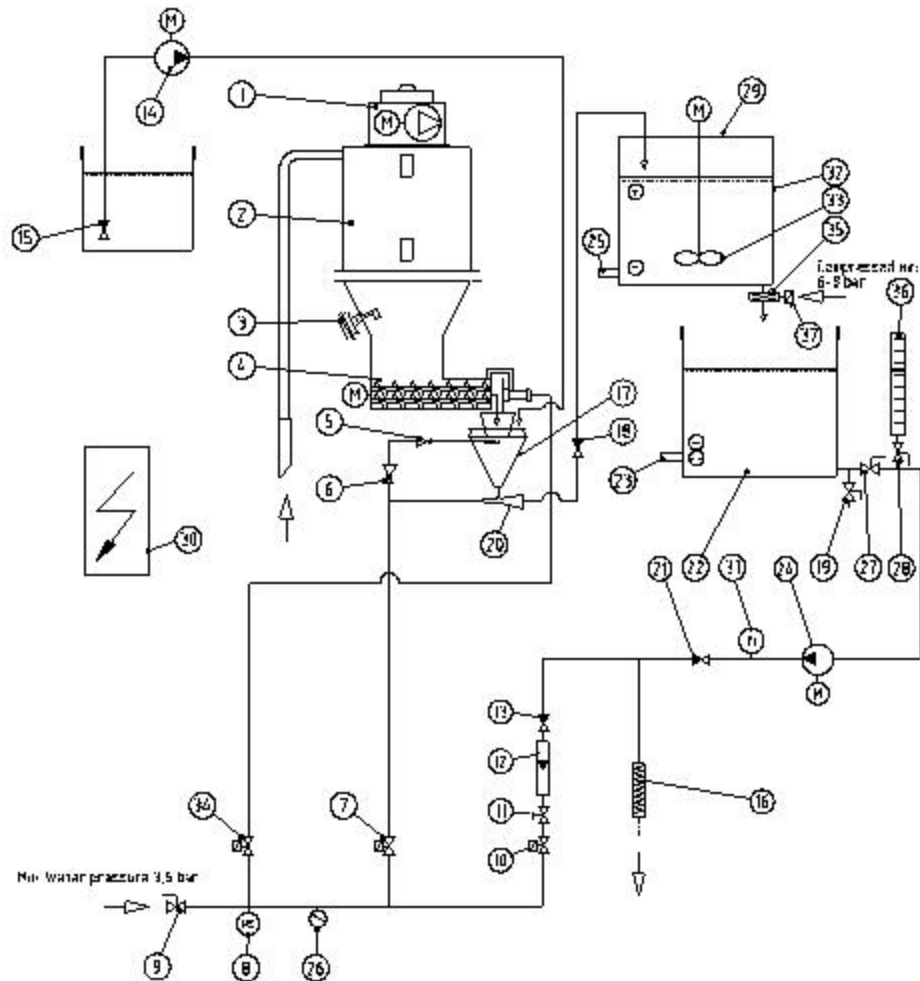
Polymer make-up unit - PolyRex

Versatile system for batchwise preparation of polymer solutions.

- Turn-key automatic machine
- Multiscrew polymer feeder - High accuracy
- High effective step-by-step mixing system
- Tanks in stainless steel AISI 304
- Wide range of options
- 2000 units working in 60 countries



Flow diagram PolyRex with vacuum conveyor.

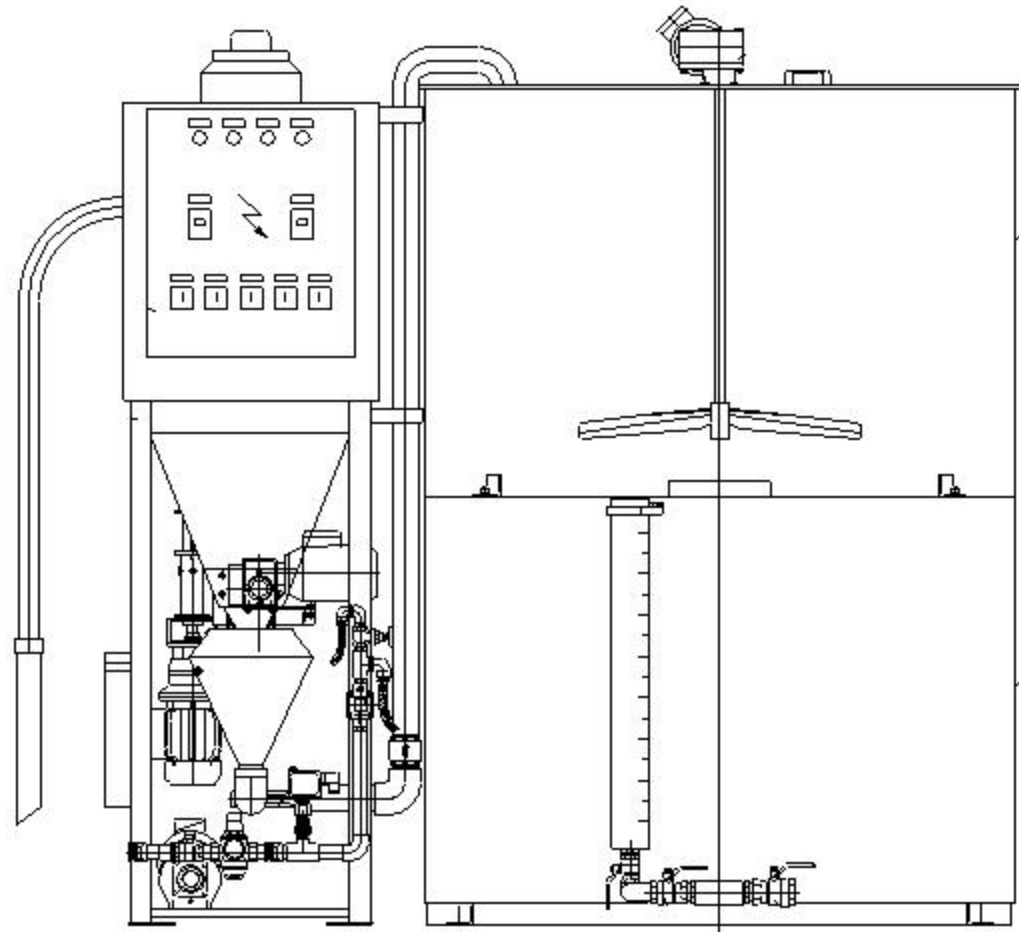


PolyRex - Vacuum conveyor system

Vacuum conveyor support

A powder hopper is filled up from a vacuum conveyor.

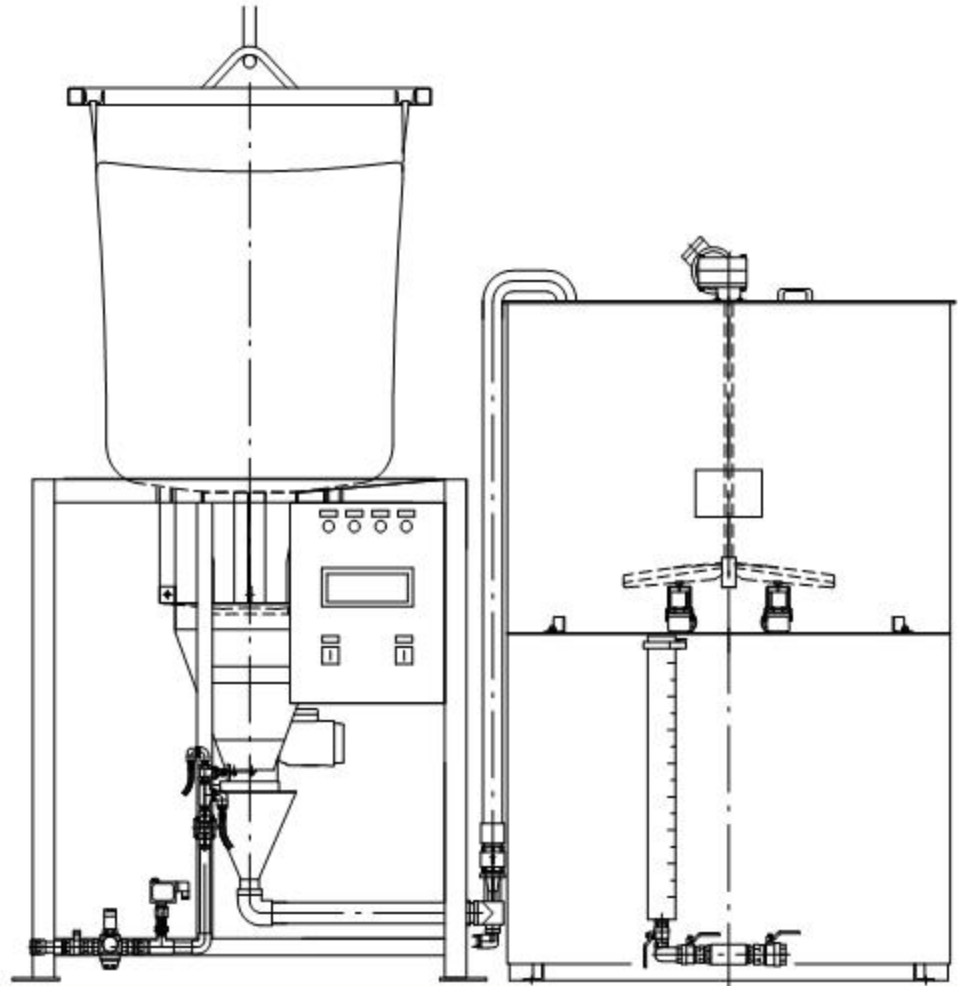
Small bags or big bags are used.



PolyRex - Big-bag handling systems

Big-bag table

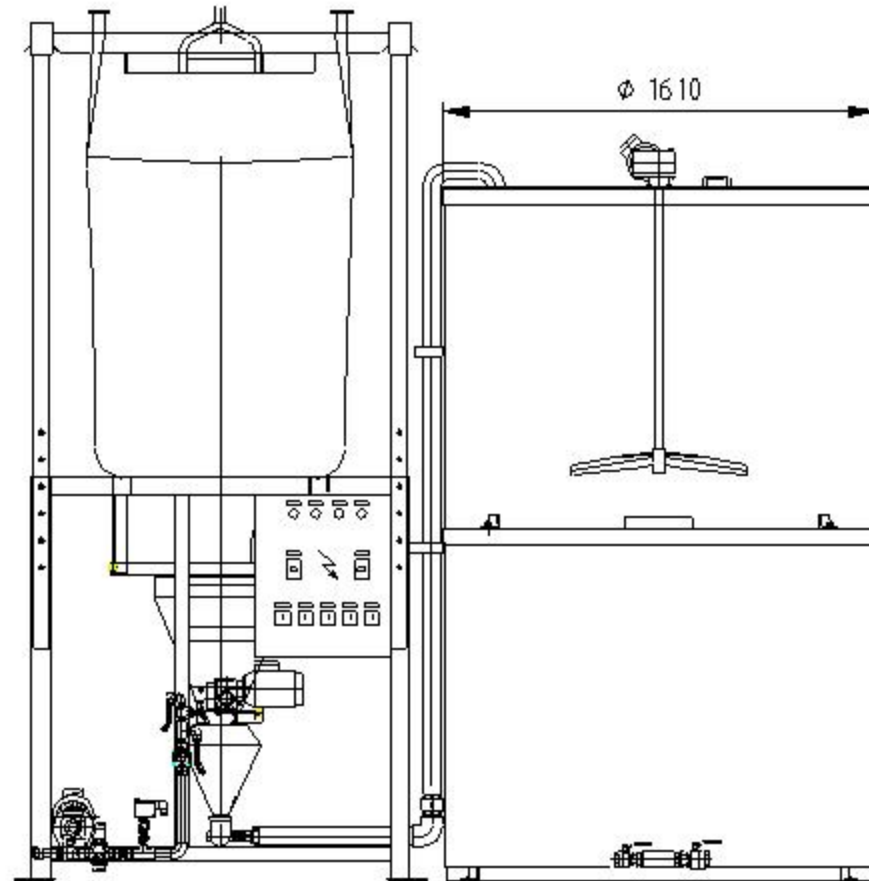
Lifting devices for the big bag are required at site.



PolyRex - Big-bag handling systems

Adjustable big-bag support

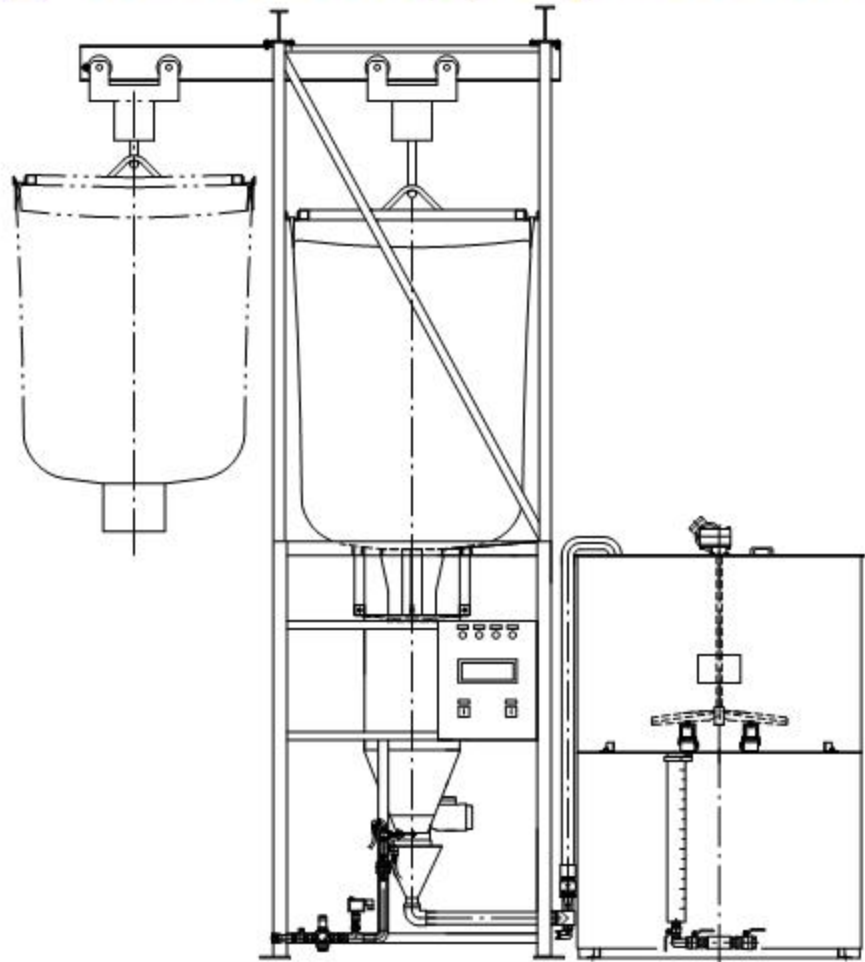
Fork-lift or similar is required to hang the big bag on top of the support.



PolyRex - Big-bag handling systems

Integrated electrical chain hoist and telfer.

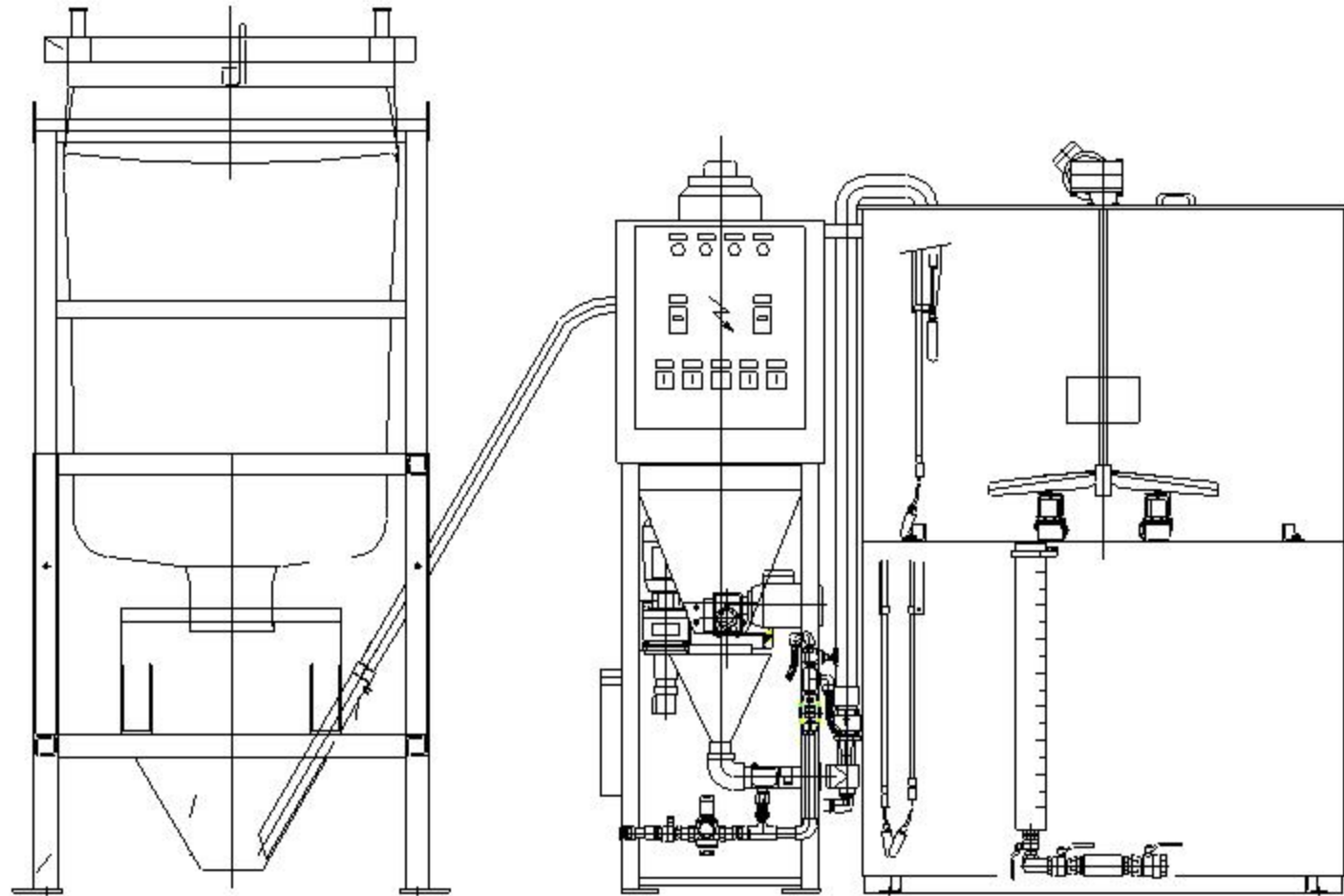
The integrated hoist lifts the big bag into the support/hopper. No lifting devices are required at site.



PolyRex - Big-bag handling systems

Support stand
for vacuum
transport

A big bag support is
added to a standard
vacuum conveyor
support.



Polymer make-up unit PolyRex



Polymer make-up unit PolyRex

Wetting cone with
teflon coated inlet.



Polymer make-up unit PolyRex

Separate pump skid incl.
post dilution equipment.

